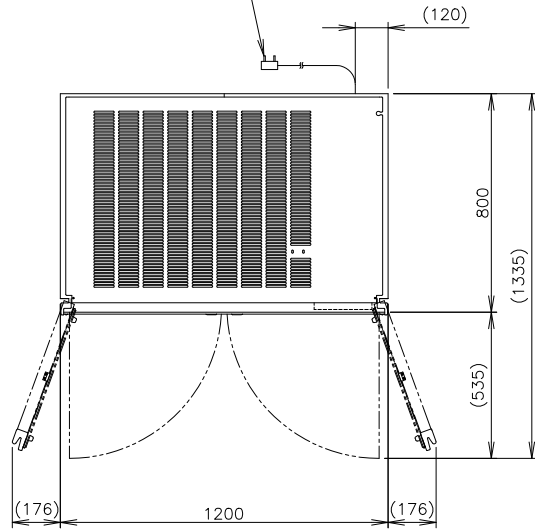
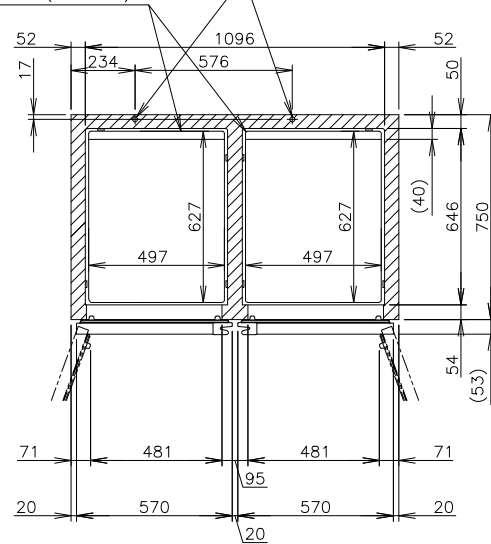


POWER CORD 2000 LONG OUTSIDE
(PLUG WITH UK EARTH WIRE)

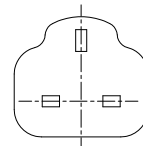


COATING SHELF(497x627)
DRAIN OUTLET 18 OD
(DEFROST)

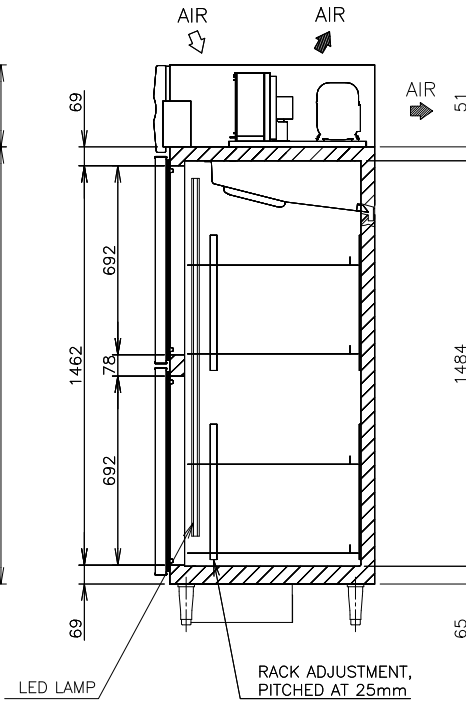
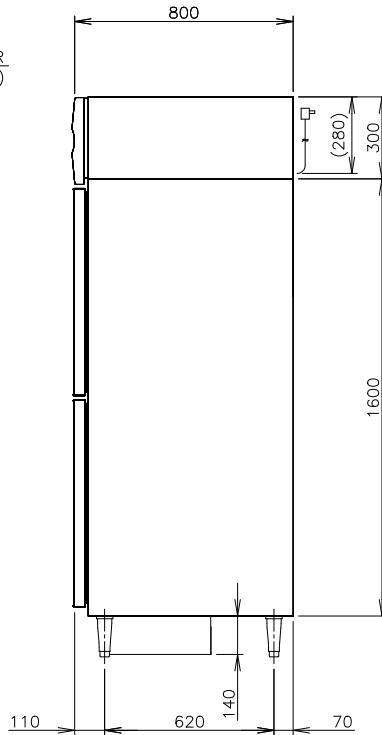
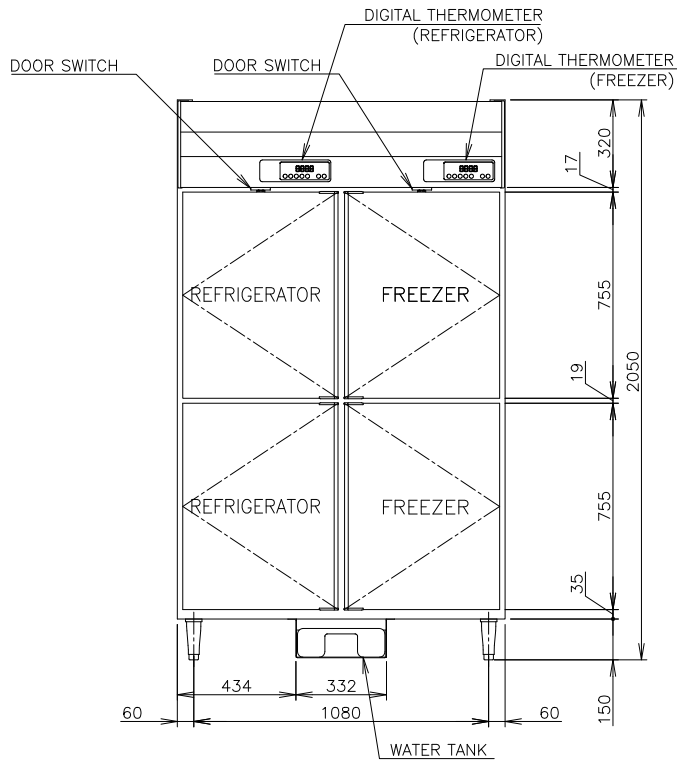


2. The heat rejection is based on the reached pulldown temperature at ambient temperature of 35°C

3. Product Code: S183-V000



UK PLUG



| | | |
|--------------------------------|--|--|
| ITEM | Hoshizaki Reach-in Freezer/Refrigerator | |
| MODEL | HRF-128MC-S | |
| POWER SUPPLY | 1 Phase 220~240V 50Hz Capacity: 2.16kVA (5.10A) | |
| AMPERAGE | Rated: 5.1A | |
| ELECTRIC CONSUMPTION | MOTOR 605W(POWER FACTOR 78%) Heater 517W Refrigeration 641W Defrost 400W | |
| HEAT REJECTION | *W | |
| POWER CORD | 2.0m (UK Plug with Earth Wire) | |
| EFFECTIVE CAPACITY | Total Net:714L/Gross:976L (Based on ISO 22041-2019) (Refrigerator:Net:357L/Gross:488L) (Freezer:Net:357L/Gross:488L) | |
| Energy consumption | 11.43kWh/day (Based on ISO 22041-2019) | |
| OUTSIDE DIMENSIONS | 1200mm(W) x 800mm(D) x 2050(-2080)mm(H) | |
| INSIDE DIMENSIONS | Refrigerator | 521mm(W)x646mm(D)x1484mm(H) |
| | Freezer | 521mm(W)x646mm(D)x1484mm(H) |
| EXTERIOR | Stainless Steel, Galvanized Steel(Top, Rear, Bottom) | |
| INTERIOR | Stainless Steel, ABS Plastic(Door) | |
| INSULATION | Polyurethane Foam | |
| INSULATION FOAM BLOWING AGENT | Cyclopentane | |
| REFRIGERATION SYSTEM | Forced Air Circulation | |
| DEFROST SYSTEM | Refrigerator | Heater |
| | Freezer | Heater |
| COMPRESSOR | Refrigerator | Hermetic |
| | Freezer | Hermetic |
| CONDENSER | Refrigerator | Wire and Tube Type, Air-cooled |
| | Freezer | Wire and Tube Type, Air-cooled |
| EVAPORATOR | Refrigerator | Fin and Tube type |
| | Freezer | Fin and Tube type |
| REFRIGERANT | Refrigerator | R290 |
| | Freezer | R290 |
| TEMPERATURE CONTROL | Refrigerator | Microprocessor Controlled (Digital Temperature Indication) Adjustable from -6 to 12°C |
| | Freezer | Microprocessor Controlled (Digital Temperature Indication) Adjustable from -25 to -7°C |
| DEFROST CONTROL | Microprocessor | |
| ELECTRIC CIRCUIT PROTECTION | Earth Wire, Circuit Breaker | |
| REFRIGERANT CIRCUIT PROTECTION | Motor Protector (Auto-reset) | |
| LEG | Plastic Adjustable from 150 to 180mm | |
| SHELF | 8 pcs. | |
| WEIGHT | 166kg (Gross 195kg) | |
| PACKAGE | Carton (Wooden Pallet) 1260mm(W) x 900mm(D) x 2075mm(H) | |
| ACCESSORIES | Drain Hose x 1, Water Tank x 1, Tank Bracket x 1 | |
| OPERATING CONDITIONS | Ambient Temperature: 5 - 38°C | |
| | Voltage Range: Rated Voltage ±6% | |

*We reserve the right to make changes in specifications and design without prior notice.

1. Install the product properly in accordance with the instructions on location, water supply/drain connections and electrical connections stated in the instruction and installation manuals provided.
Allow 10mm extra space at the installation site to meet any installation requirements (additional spacing is also required for proper air flow and pipe connections).

HOSHIZAKI REACH-IN FREEZER/REFRIGERATOR HRF-128MC-S

| | | | | | |
|-----------------|----------------|----------------|-----------------|--------------------|--------------|
| APPROVED LIANGK | CHECKED LIANGK | DESIGNED LXF | DRAWN LXF | SCALE 1/20 | TRIGONOMETRY |
| LIANGK LY | SYMBOL | DATE 2025.1.12 | DATE 2025.03.21 | DRAWING NO. D40735 | SYMBOL 1 |
| APPROVED | DESIGNED | DATE | DATE | | |